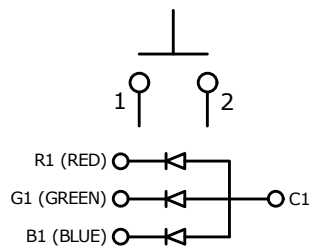


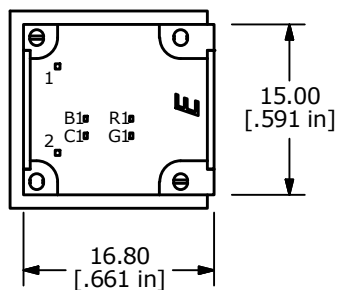
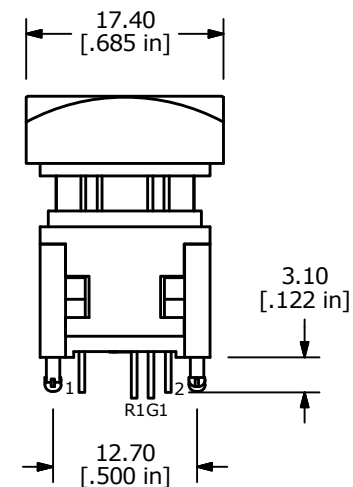
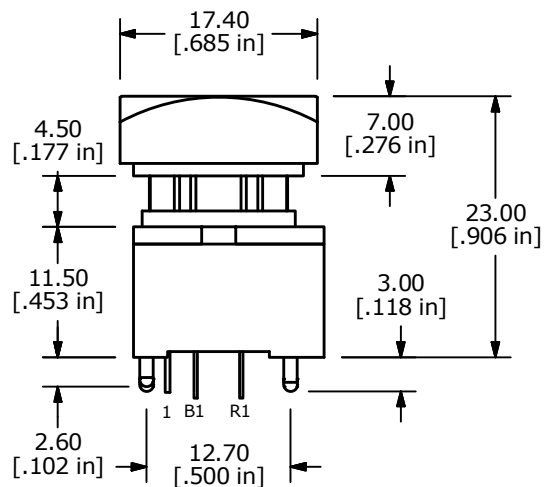
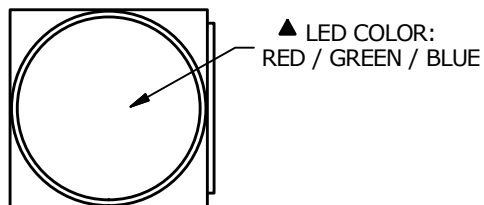
PCB LAYOUT



RGB SCHEMATIC

NOTES:

1. ALL DIMENSIONS IN MM [INCH]
2. GENERAL TOLERANCE: X.X = ± 0.4
X.XX = ± 0.25
3. TERM. NOS. FOR REFERENCE ONLY.
4. RATING: 12VDC, 100mA
5. CONTACT MATERIAL: GOLD PLATED
6. CONTACT RESISTANCE: 200 m Ω MAX.
7. INSULATION RESISTANCE: 500VDC, 100 M Ω MIN.
8. OPERATING FORCE: 200 \pm 100gf
9. MECHANICAL LIFE: 2,000,000 CYCLES
10. OPERATING TEMP: -40°C TO +85°C
- ▲ 11. LED COLORS: RED / GREEN / BLUE
12. TRAVEL: 4.00mm \pm 0.20
13. ▲ DENOTES CRITICAL PARAMETER.
- ▲ 14. SWITCH HAS NON TACTILE FEEDBACK WHEN ACTUATED



LED SPECS	UNITS	RED	GREEN	BLUE
FORWARD CURRENT	mA	20	20	20
FORWARD VOLTAGE @20mA	V	2.1-2.5	3.2-4.0	3.3-4.0
LUMINOUS INTENSITY @20mA	MCD	1000	1600	330



A	23539	NEW RELEASE	8/24/18	MJR
REV	PCR NO	DESCRIPTION	DATE	BY

TITLE LP11EE1NCSRGB				
SCALE	DATE	DR	DWG	REV
3:2	8/24/2018	MJR	B232001	A

THE INFORMATION CONTAINED IN THIS DOCUMENT IS PROPRIETARY TO E-SWITCH AND IS NOT TO BE COPIED OR TRANSFERRED